


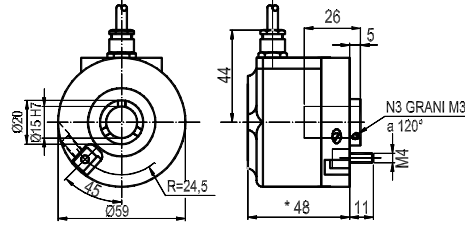

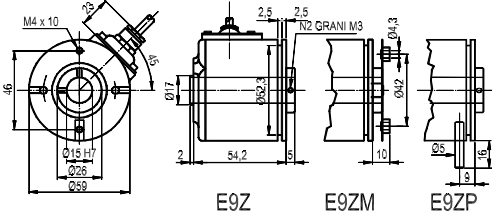

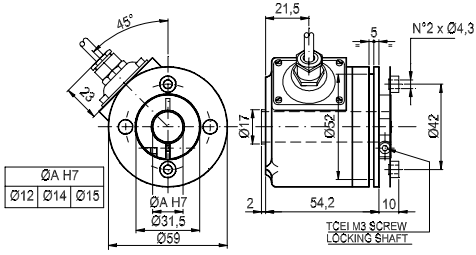

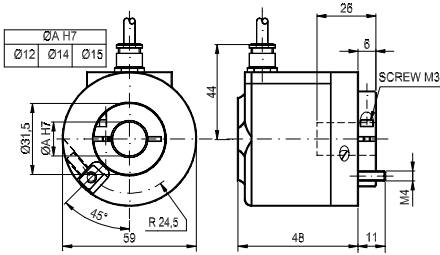

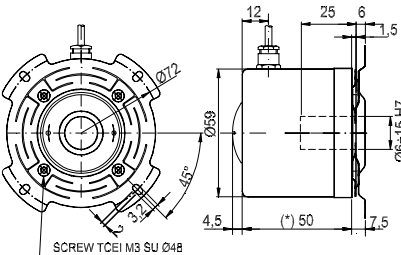

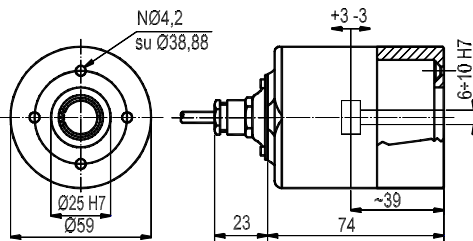

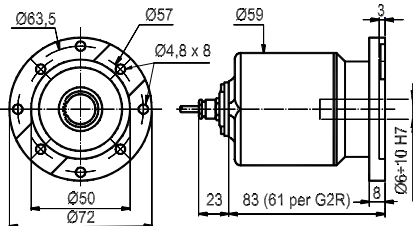
- Incremental encoders
- Absolute encoders
- Linear transducers
- Helical couplings



“HOLLOW SHAFT” INCREMENTAL ENCODERS

D6 D6P			<p>Weight: about 95 g. Protection: IP53 Axial connections: - Radial connections: cable Electronics: -, K, B, N, C, T, U, R Power supply: 5V,8 ÷ 24V,18 ÷ 28V Max freq.: 100 KHz Max pulses/rev.: 2540</p>
D6C		<p>(*) 38 -CON GOMMINO o CONNETTORE</p>	<p>Weight: about 90 g. Protection: IP63 Axial connections: - Radial connections: cable Electronics: -, K, B, N, C, T, U, R Power supply: 5V,8 ÷ 24V,18 ÷ 28V Max freq.: 100 KHz Max pulses/rev.: 5000</p>
C8C			<p>Weight: about 180 g. Protection: IP63 Axial connections: cable Radial connections: cable Electronics: -, K, B, N, C, T, U, R Power supply: 5V,8 ÷ 24V,18 ÷ 28V Max freq.: 100 KHz Max pulses/rev.: 2540</p>
D8			<p>Weight: about 180 g. Protection: IP63 Axial connections: cable Radial connections: cable Electronics: -, K, B, N, C, T, U, R Power supply: 5V,8 ÷ 24V,18 ÷ 28V Max freq.: 100 KHz Max pulses/rev.: 2540</p>
D6S			<p>Weight: about 230 g. Protection: IP63 Axial connections: - Radial connections: cable Electronics: -, K, B, N, C, T, U, R Power supply: 5V,8 ÷ 24V,18 ÷ 28V Max freq.: 100 KHz Max pulses/rev.: 5000</p>
E9P			<p>Weight: about 110 g. Protection: IP53 Axial connections: - Radial connections: cable Electronics: -, K, B, N, C, T, U, R Power supply: 5V,8 ÷ 24V,18 ÷ 28V Max freq.: 100 KHz Max pulses/rev.: 2540</p>

"HOLLOW SHAFT" INCREMENTAL ENCODERS

E9C			<p>Weight: about 290 g. Protection: IP64 Axial connections: - Radial connections: CV Electronics: -, K, B, N, C, T, U, R Power supply: 5V,8 ÷ 24V,18 ÷ 28V Max freq.: 100 KHz Max pulses/rev: 1000</p>
E9Z			<p>Weight: about 300 g. Protection: IP64 Axial connections: - Radial connections: CV Electronics: -, K, B, N, C, T, U, R Power supply: 5V,8 ÷ 24V,18 ÷ 28V Max freq.: 100 KHz Max pulses/rev: 3600</p>
EZMA			<p>Weight: about 320 g. Protection: IP64 Axial connections: - Radial connections: CV Electronics: -, K, B, N, C, T, U, R Power supply: 5V,8 ÷ 24V,18 ÷ 28V Max freq.: 100 KHz Max pulses/rev: 3600</p>
E9CA			<p>Weight: about 320 g. Protection: IP64 Axial connections: - Radial connections: CV Electronics: -, K, B, N, C, T, U, R Power supply: 5V,8 ÷ 24V,18 ÷ 28V Max freq.: 100 KHz Max pulses/rev: 3600</p>
E9B			<p>Weight: about 320 g. Protection: IP64 Radial connections: CV Electronics: -, K, B, N, C, T, U, R Power supply: 5V,8 ÷ 24V,18 ÷ 28V Max freq.: 100 KHz Max pulses/rev: 3600</p>
E9			<p>Weight: about 520 g. Protection: IP64 Axial conn.: connector or cable Radial conn.: connector or cable Electronics: all Power supply: 5V,8 ÷ 24V,18 ÷ 28V Max freq.: 100 KHz Max pulses/rev: 10000</p>
G2 G2R			<p>Weight: about 470 g. Protection: IP64 Axial conn.: connector or cable Radial conn.: connector or cable Electronics: all Power supply: 5V,8 ÷ 24V,18 ÷ 28V Max freq.: 100 KHz Max pulses/rev: 10000</p>

C/ Miño, 122 - Nave D.1º. 08223 Terrassa (Barcelona)

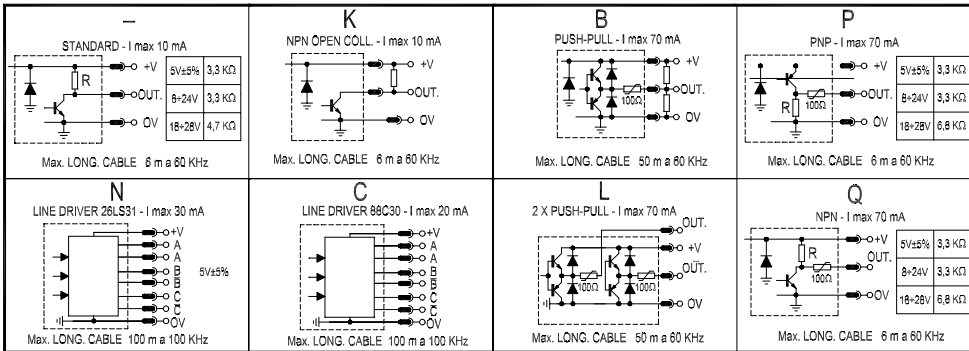
Tel. +34 937 363 345 www.seltecelec.com

Fax. +34 937 362 282 e-mail: seltec@seltecelec.com

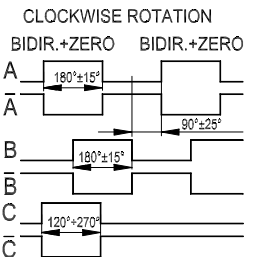
ORDERING CODE

Options Y	Model G2	8	Pulse/rev 150	Power supply 824	Version B	Electronics B	Connections CM	Output R	
		∅ hollow							
L – Low temperature Y – Unbreakable disk Z – Sealed ball bearings B – Low torque ball bearings W – 300 kHz frequency J – Zero logic combination G – Tropicalization M – Impregnated electronic A – High temperature X – Custom options			5 - 5V ±5% 824 - 8 ÷ 24 V 1828 - 18 ÷ 28 V 815 - 8 ÷ 15 V 1230 - 12 ÷ 30V out 12V 8245 - 8 ÷ 24V out 5V 18285 - 18 ÷ 28V out 5V 1030 - 10 ÷ 30 V		-- Standard K - Open collector 10 mA C - Line Driver 88C30 N - Line driver 26LS31 B - Push-pull with protection L - 2x Push-Pull without protection H - Push_Pull without protection Q - NPN 70 mA with protection R - NPN 70 mA without protection M - 2x Push-Pull without protect. P - PNP 70 mA with protection U - PNP 70 mA without protection D – Discrim. T – Integrat. 7404 Y – Sinusoidal X – Custom options			CV -Cable CD -DE9P connector CM -MS3102A16S-1P connector CL - MS3102A18S-1P connector CI - UTG014-12P connector CH -Eml 121 connector MS –Terminal box SM -Sealed CM connector SL –Sealed CL connector VM -MS3102A16S conn. at end cable VL - MS3102A18 conn. at end cable VD -DE9P connector at end cable VI - UTG06-12P connector at end cable VK -MS3102A20 conn. at end cable VH -Pml121 connector at end cable VN -RLK121MRV conn. at end cable VS -840-31-570 conn. at end cable TM –Sealed CM conn. at end cable	

OUTPUT ELECTRONICS



OUTPUT SIGNALS



COMMON SPECIFICATIONS

SHOCK RESISTANCE: 50 G (11 mS)
VIBRATION RESISTANCE: 12 G (10 ÷ 2000 Hz)
STAINLESS STEEL SHAFT (h7) AND BALL BEARINGS (ABEC 5)
BALL BEARINGS LIFE: 1,5 X 10 ⁹ revolutions
LIGHT SOURCE LED WITH LIFE > 100000 h
OPERATING TEMPERATURE: 0 ÷ +70 °C other on request
STORAGE TEMPERATURE: - 30 ÷ +85 °C
DETECTORS: PUSH-PULL PHOTOTRANSISTORS
CONSUMPTION:~100 mA, ~ 130 mA WITH LINE DRIVER
BURN-IN: 72 h
PULSES PER REVOLUTION
Please see specifications of each model for max pulses number: -1 ÷ 500 (all) - 504 - 508 -512 - 520 - 525 - 528 - 534 - 540 - 544- 545 -550 -576 -594 -600 -619 -620 -625 -635 -640 -700 -710 -720 -722 -750 -762 -800 -810 -816 -890 -900 -942 -960 -980 -1000 - 1005 - 1008 -1021 -1024 -1036 -1044 -1068 -1180 -1185 -1200 -1215 -1250 -1270 - 1440 -1500 -1600 -1602 -1800 -1920 -1950 -1979 -2000 -2042 -2048 -2136 -1160 -2200 -2250 -2304 -2356 -2400 -2500 -2540 -2600 -2618 -2700 -2880 -3000 -3600 -4000 -4096 -5000 - 5400 -6000 - 6350 -7200 -7500 - 8192- 9000 -10000 - 10800 -12700 -14400 -15000 -18000 - other on request -