
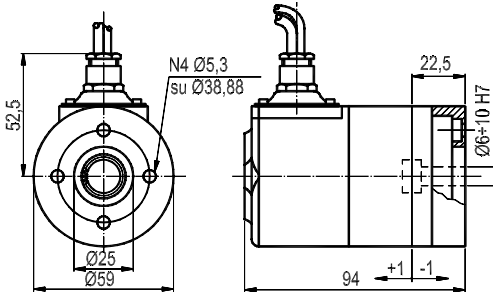

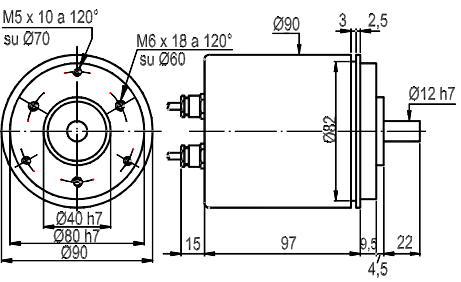

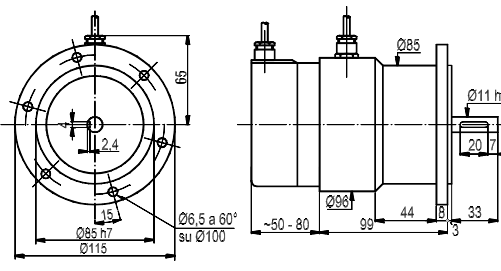

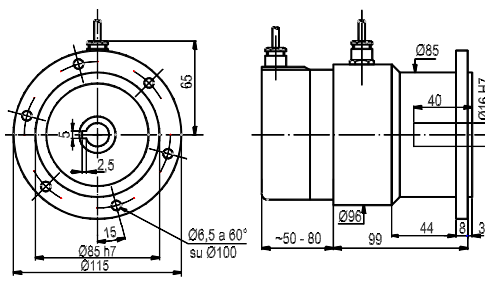

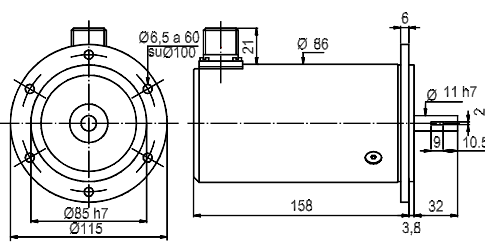


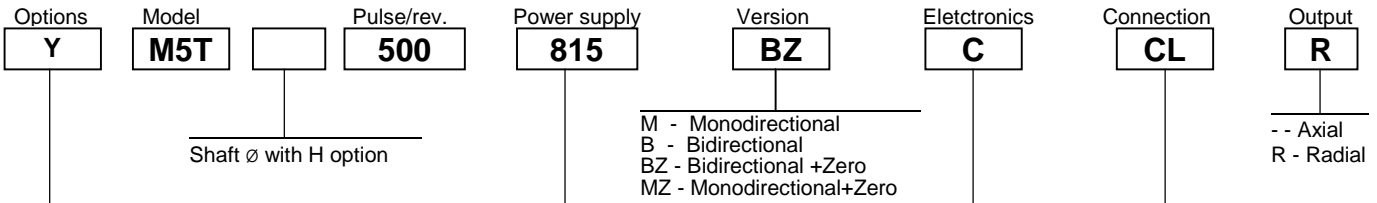
- Incremental encoders
- Absolute encoders
- Linear transducers
- Helical couplings



INCREMENTAL ENCODERS “with TACHO GENERATOR”

E8M			<p>Weight: about 550 g. Protection: IP53 Radial connection: cable Electronics: -, K,B,N,C,N,P,Q,R Power supply: 5V,8 ÷ 24V,18 ÷ 28V Max freq.: 100 KHz Max pulses/rev: 2540</p>
K9AT			<p>Weight: about 980 g. Max rad./ax. load: 12 kg Protection: IP65 Axial conn.: connector or cable Radial conn.: connector or cable Electronics: -, K,B,N,C,N,P,Q,R Power supply 5V,8 ÷ 24V,18 ÷ 28V Max freq.: 100 KHz Max pulses/rev: 3600</p>
M5T			<p>Weight: about 1700 g. Protection: IP64 Axial connections: - Radial conn.: connector or cable Electronics: -,K,B,C,N,H,P,Q,R Power supply: 5V,8 ÷ 24V,18 ÷ 28V Max freq.: 100 KHz Max pulses/rev: 3600</p>
M5TC			<p>Weight: about 1650 g. Protection: IP64 Axial connections: - Radial conn.: connector or cable Electronics: -, K,B,N,C,P,Q,R Power supply: 5V,8 ÷ 24V,18 ÷ 28V Max freq.: 100 KHz Max pulses/rev: 3600</p>
M5RT			<p>Weight: about 2300 g. Max rad./ax. load: 12 kg Protection: IP67 Axial connections: - Radial conn.: connector or cable Electronics: -, K,B,N,C,P,Q,R Power supply: 5V,8 ÷ 24V,18 ÷ 28V Max freq.: 100 KHz Max pulses/rev: 3600</p>

ORDERING CODE



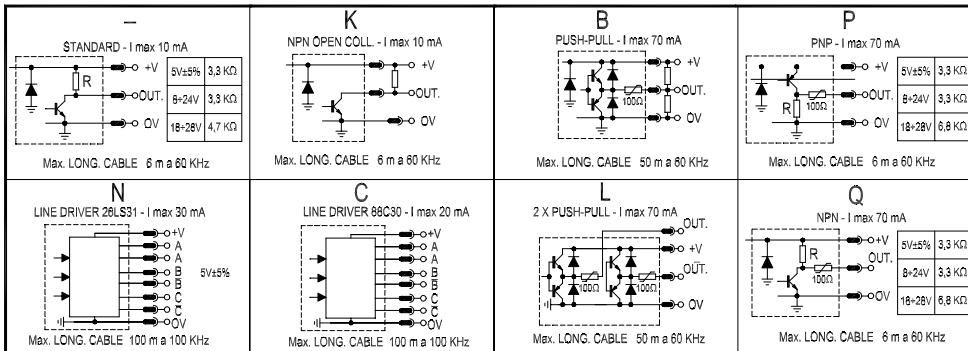
- CV -Cable
CD -DE9P connector
CM -MS3102A16S-1P connector
CL - MS3102A18S-1P connector
CI - UTG014-12P connector
CH -Eml 121 connector
MS -Terminal box
SM -Sealed CM connector
SL -Sealed CL connector
VM -MS3102A16S connector at end cable
VL - MS3102A18 connector at end cable
VD - DE9P connector at end cable
VI - UTG06-12P connector at end cable
VK -MS3102A20 connector at end cable
VH -Pml121 connector at end cable
VN -RLK121MRV connector at end cable
VS -840-31-570 connector at end cable
TM -Sealed CM connector at end cable

- L -Low Temperature
Y -Unbreak. disk
Z -Sealed ball bearings
B -Low torque ball bearings
H -Different shaft \varnothing
W -300 kHz Frequency
J -Zero logic combination
G -Tropicalization
M -Impregnated electronic
A -High temperature
X -Custom options

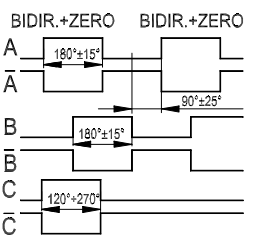
- 5 - 5V \pm 5%
824 - 8 \div 24 V
1828 - 18 \div 28 V
815 - 8 \div 15 V
1230 - 12 \div 30V output 12V
8245 - 8 \div 24V output 5V
18285 - 18 \div 28V output 5V
1030 - 10 \div 30 V

- Standard
K - Open collector 10 mA
C - Line Driver 88C30
N - Line driver 26LS31
B - Push-pull with protection
L - 2x Push-Pull with protection
H - Push_Pull without protection
Q - NPN 70 mA with protection
R - NPN 70 mA without protection
M - 2x Push-Pull without protection
P - PNP 70 mA with protection
U - PNP 70 mA without protection
X - Custom options

OUTPUT ELECTRONICS



OUTPUT SIGNALS



COMMON SPECIFICATIONS

SHOCK RESISTANCE: 50 G (11 mS)
VIBRATION RESISTANCE: 12 G (10 \div 2000 Hz)
STAINLESS STEEL BALL BEARINGS (ABEC 5) AND SHAFT (h7)
BALL BEARINGS LIFE : 1,5 X 10 ⁹ revolutions
LIGHT SOURCE LED WITH LIFE > 100000 h
OPERATING TEMPERATURE: 0 \div +70 °C other on request
STORAGE TEMPERATURE: - 30 \div +85 °C
DETECTORS: PUSH-PULL PHOTOTRANSISTOR
CONSUMPTION: ~100 mA, ~ 130 mA WITH LINE DRIVER
BURN-IN: 72 h
THACO GENERATOR: RADIO ENERGIE, MAGNETIC, ROTEX, HUBNER, other on request
PULSES PER REVOLUTION Please see specifications of each model for max pulses number -1 \div 500 (all) - 504 - 508 -512 - 520 - 525 - 528 - 534 - 540 - 544- 545 -550 -576 -594 -600 -619 -620 -625 -635 -640 - 700 -710 -720 -722 -750 -762 -800 -810 -816 -890 -900 -942 -960 -980 -1000 - 1005 - 1008 -1021 -1024 -1036 -1044 -1068 -1180 -1185 -1200 -1215 -1250 -1270 - 1440 -1500 -1600 -1602 -1800 -1920 -1950 -1979 -2000 -2042 -2048 -2136 -1160 -2200 -2250 -2304 -2356 -2400 -2500 -2540 -2600 -2618 -2700 -2880 -3000 -3600 -4000 -4096 -5000 - 5400 -6000 - 6350 -7200 -7500 - 8192- 9000 -10000 - 10800 -12700 -14400 -15000 -18000 - other on request -